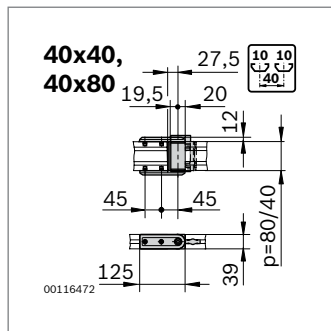


Supporting arm joint

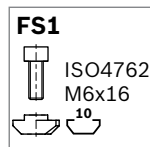


designLINE

- ▶ Suitable for swiveling end connections, e.g. for the construction of supporting arms
- ▶ *designLINE* version with special silver paint (RAL 9006) for an attractive, high-quality design
- ▶ Profile finishing:
drilling of through-hole D17

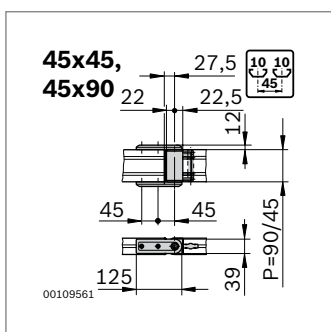


Profile	$M_{max} = F \times L$ (Nm)
40x40	40
40x80	130

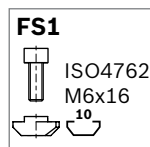


Supporting arm joint	p (mm)	ESD No.	FS
40x40	Standard	40	3 842 532 206 4xFS1
	<i>designLINE</i>	40	3 842 538 692 4xFS1
40x80	Standard	80	3 842 532 207 4xFS1
	<i>designLINE</i>	80	3 842 538 693 4xFS1

Material: Standard: diecast zinc
designLINE: painted (RAL 9006)
Cover cap: PA; black
Fastening material: steel; galvanized
Scope of delivery: incl. caps, bolt connectors, fastening material (FS)



Profile	$M_{max} = F \times L$ (Nm)
45x45	50
45x90	150



Supporting arm joint	p (mm)	ESD No.	FS
45x45	Standard	45	3 842 521 263 4xFS1
	<i>designLINE</i>	45	3 842 538 694 4xFS1
45x90	Standard	90	3 842 521 262 4xFS1
	<i>designLINE</i>	90	3 842 538 695 4xFS1

Material: Standard: diecast zinc
designLINE: painted (RAL 9006)
Cover cap: PA; black
Fastening material: steel; galvanized
Scope of delivery: incl. caps, bolt connectors, fastening material (FS)